



onshore & offshore chemical & gas tank transportation

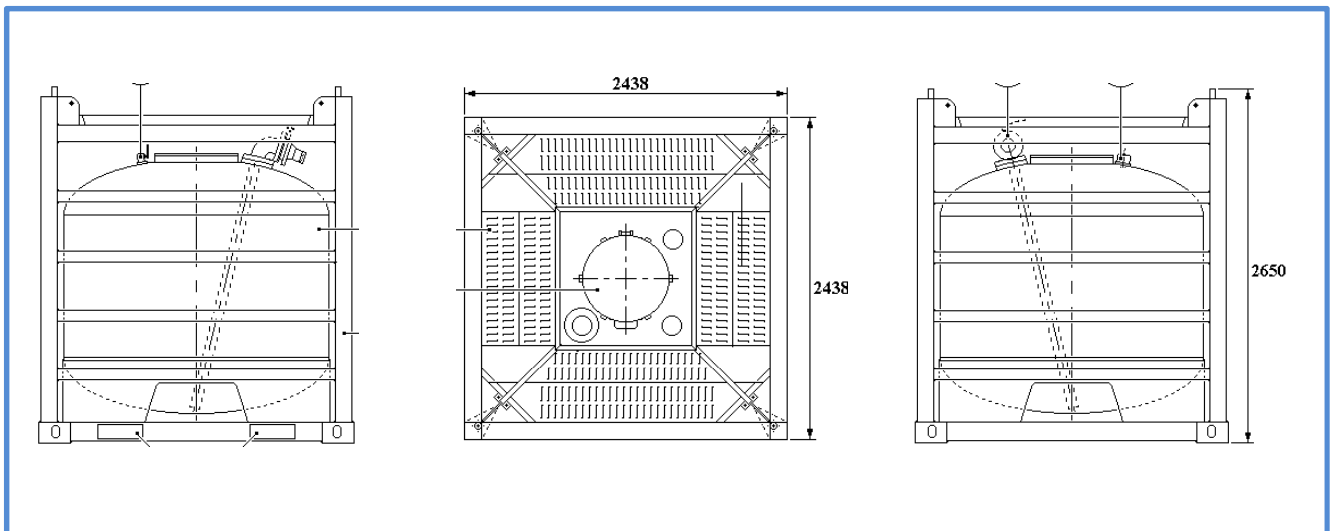
**ARGON**  
ISOTANK LTD

## 6,000 litre Acid Tank - DNV 2.7-1

**DIMENSIONS : H 2650mm x W 2438mm x L 2438mm**

**Tare Weight : 3,600Kg approx.**

**Max Gross Weight : 13,200Kg approx.**



- DNV 2.7-1 Certified
- Type Approved IMO 1 (T14), ADR
- Hydrochloric Acid, Hydrofluoric Acid, Phosphoric Acid & Sodium Hypochlorite
- Discharge 2" Top Outlet
- Mild Steel, Butyl Lined
- 4 bar Working Pressure