



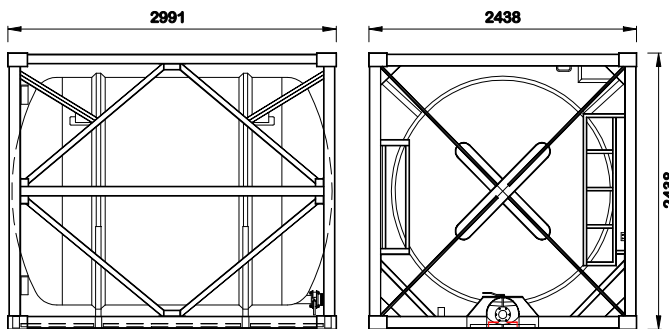
onshore & offshore chemical & gas tank transportation

## 7570 Litre - 10ft ISO Tank

DIMENSIONS : H 2438mm x W 2438mm x L 2991mm

Tare Weight : 2,100 Kg

Max Gross Weight : 10,500Kg



- DNV 2.7-1 / BS EN 12079 Certified
- Type Approved IMO 1, ADR, RID, TIR
- Discharge 3" BSP
- Airline Connection
- Stackable
- Tank Material SS316L
- 4 bar Working Pressure

[www.argon-isotank.com](http://www.argon-isotank.com)

Contact +44 (0)1224 787366

Unit 1, Badentoy Crescent  
Badentoy Industrial Estate  
Portlethen, Aberdeen  
AB12 4YD